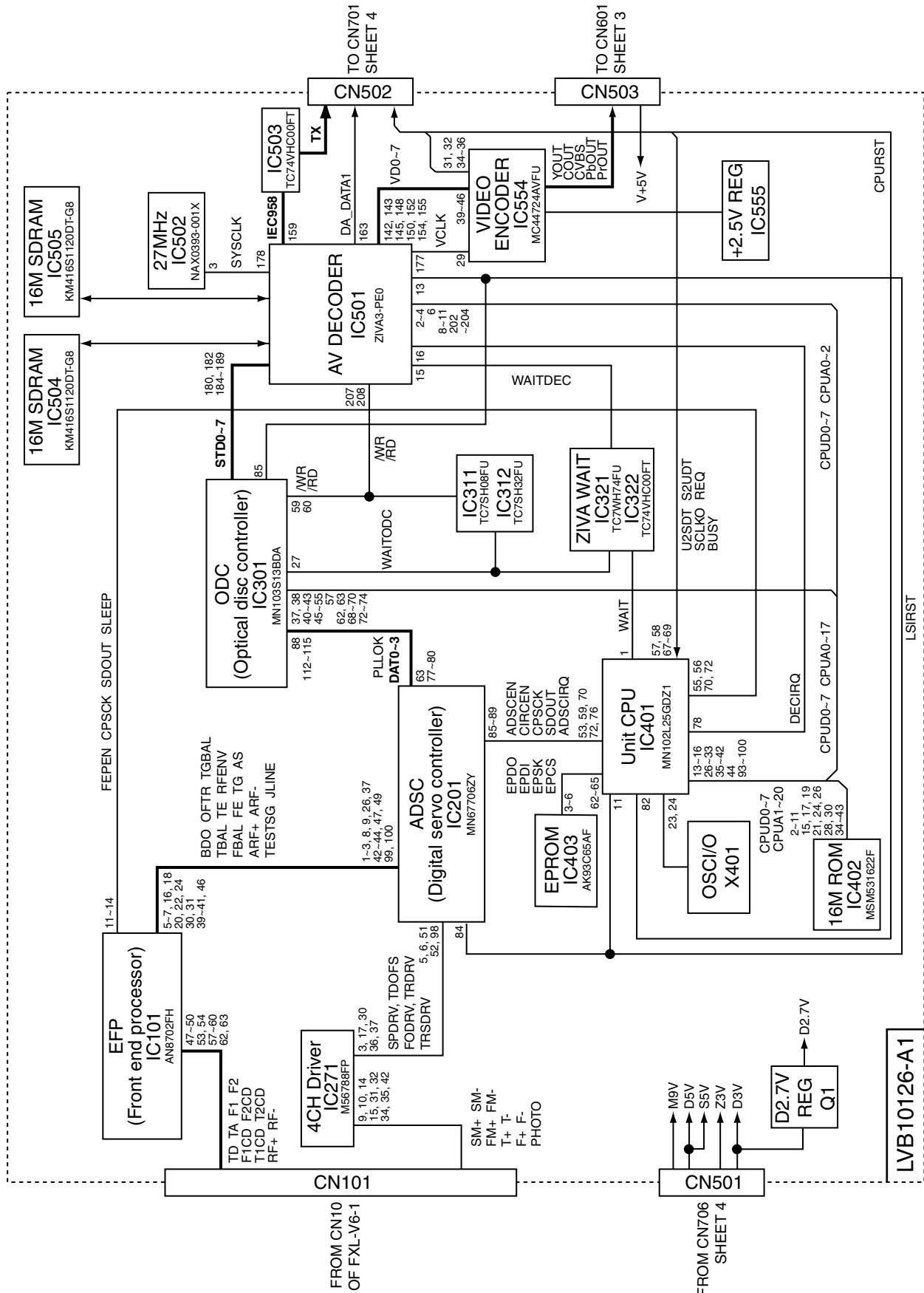
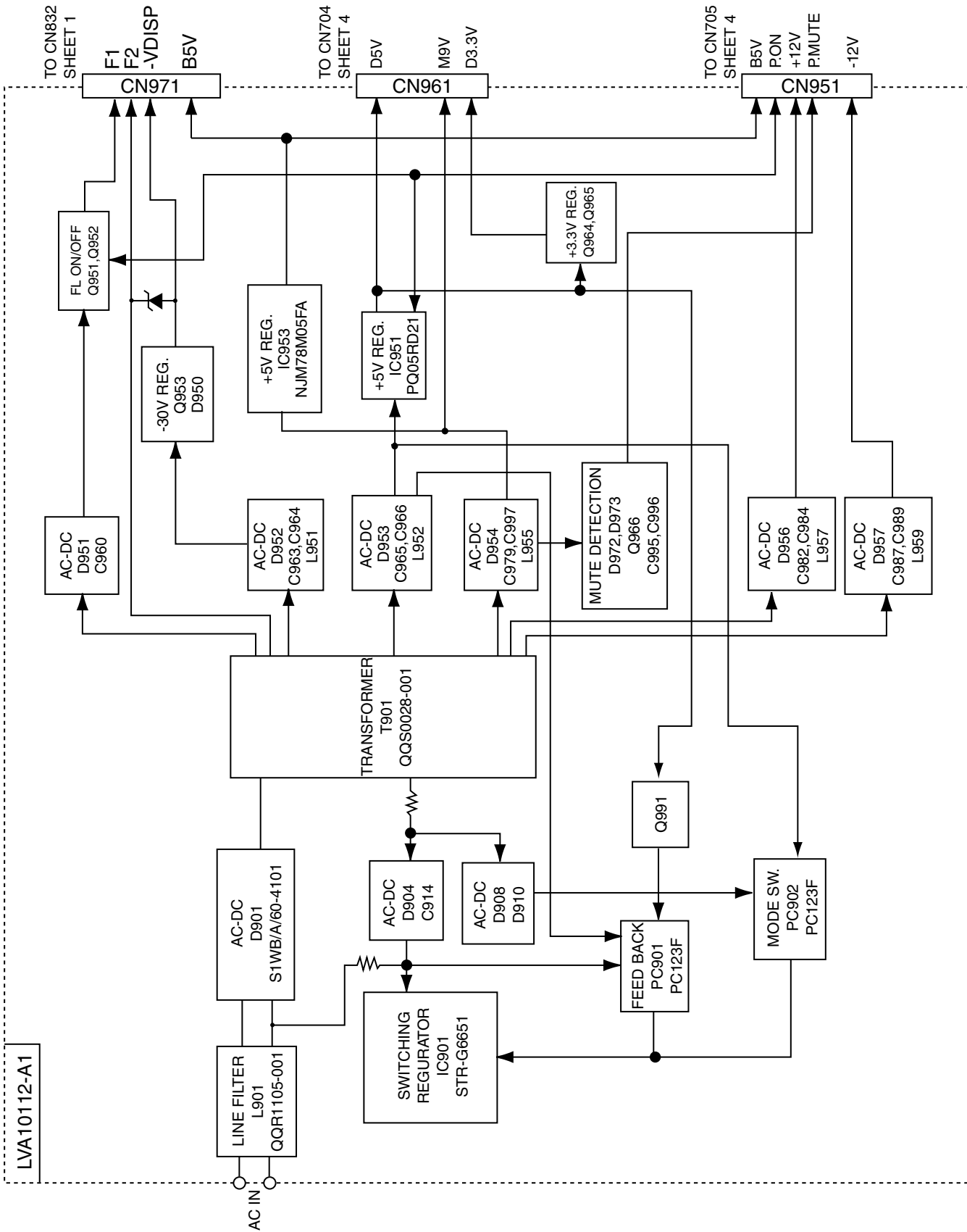


Block diagrams

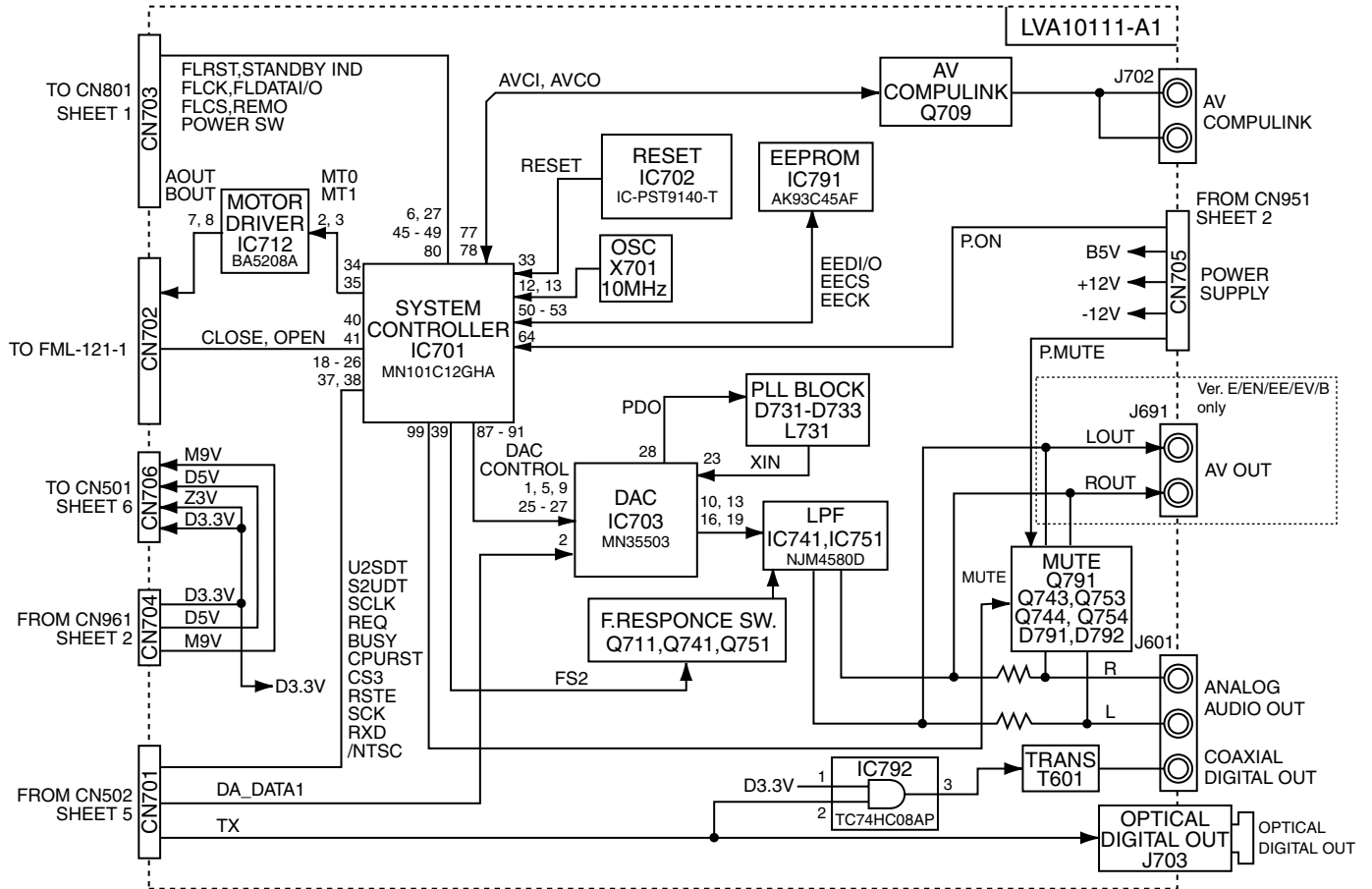
■ DVD Servo control and DSP section (SHEET 5,6)



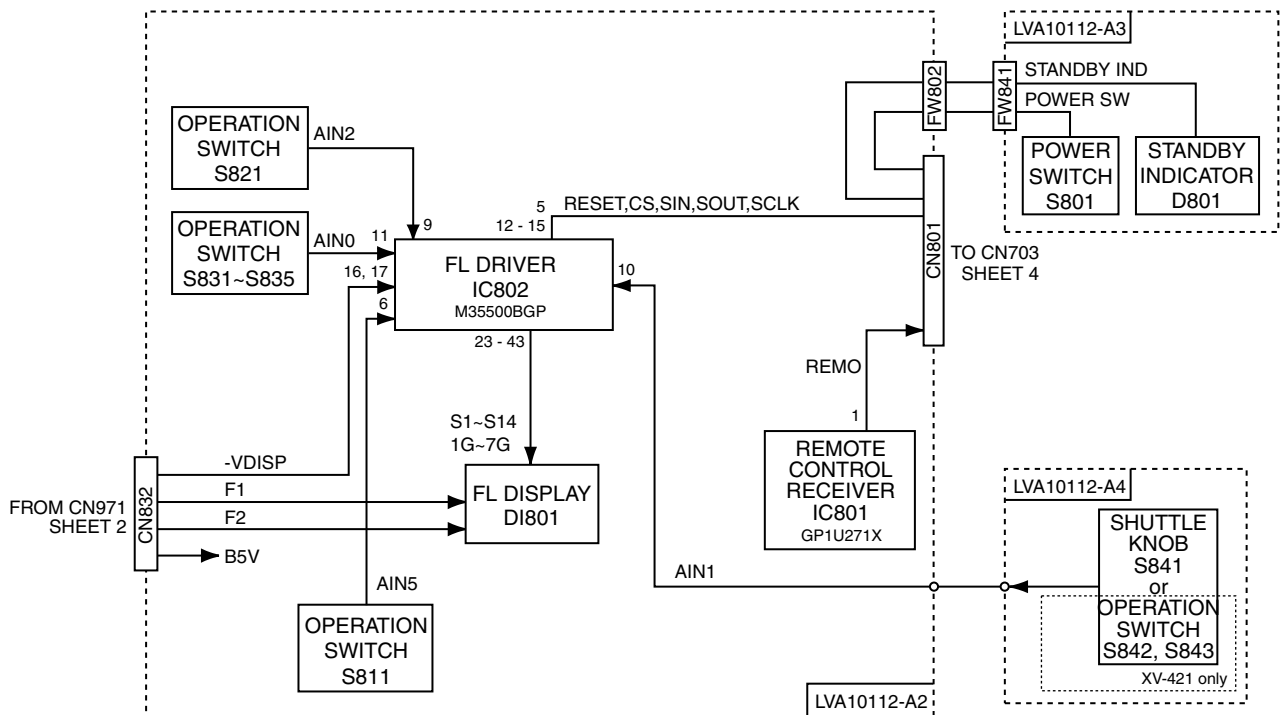
■ DC Regurator section (SHEET 2)



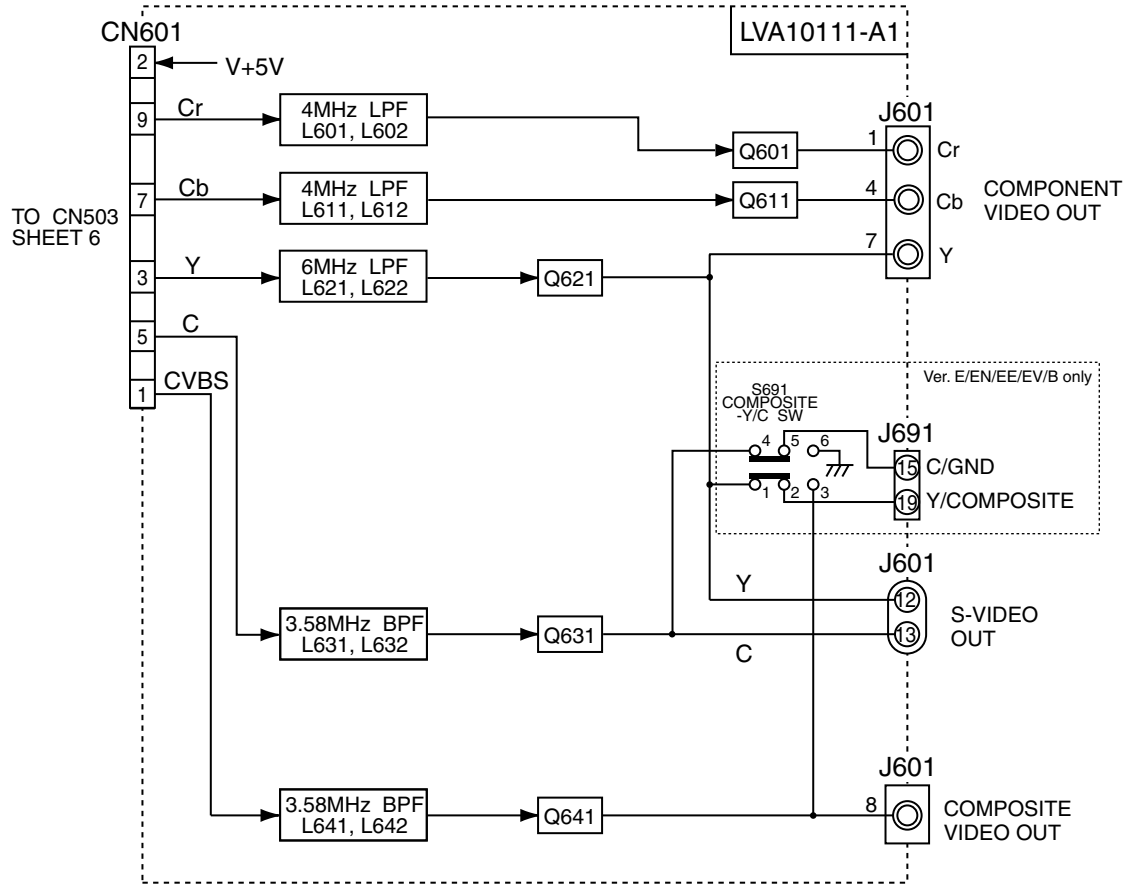
■ System control and Audio out section (SHEET 4)



■ FL Driver section (SHEET 1)

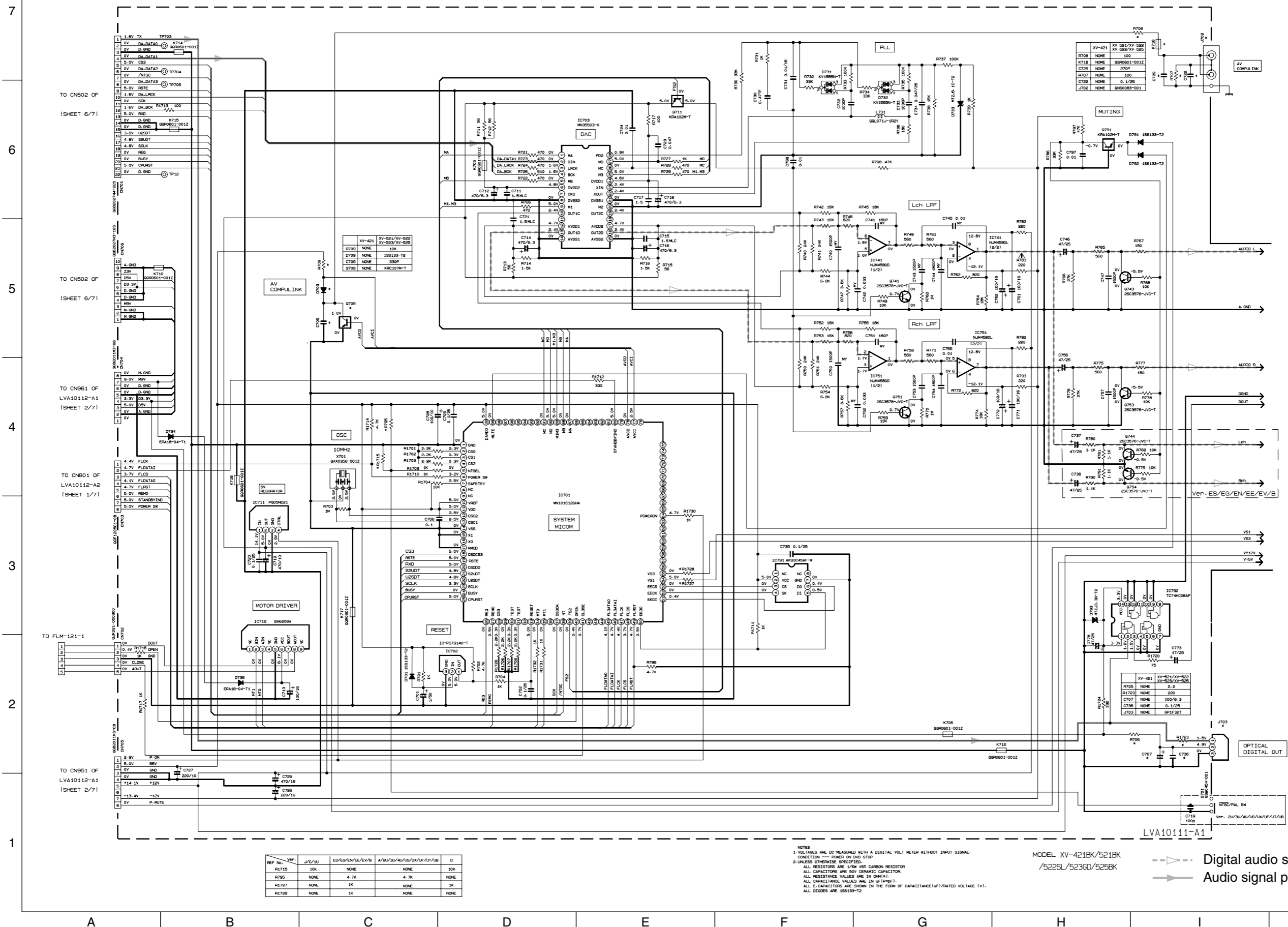


■ Video out section (SHEET 3)



Standard schematic diagrams

System control circuit

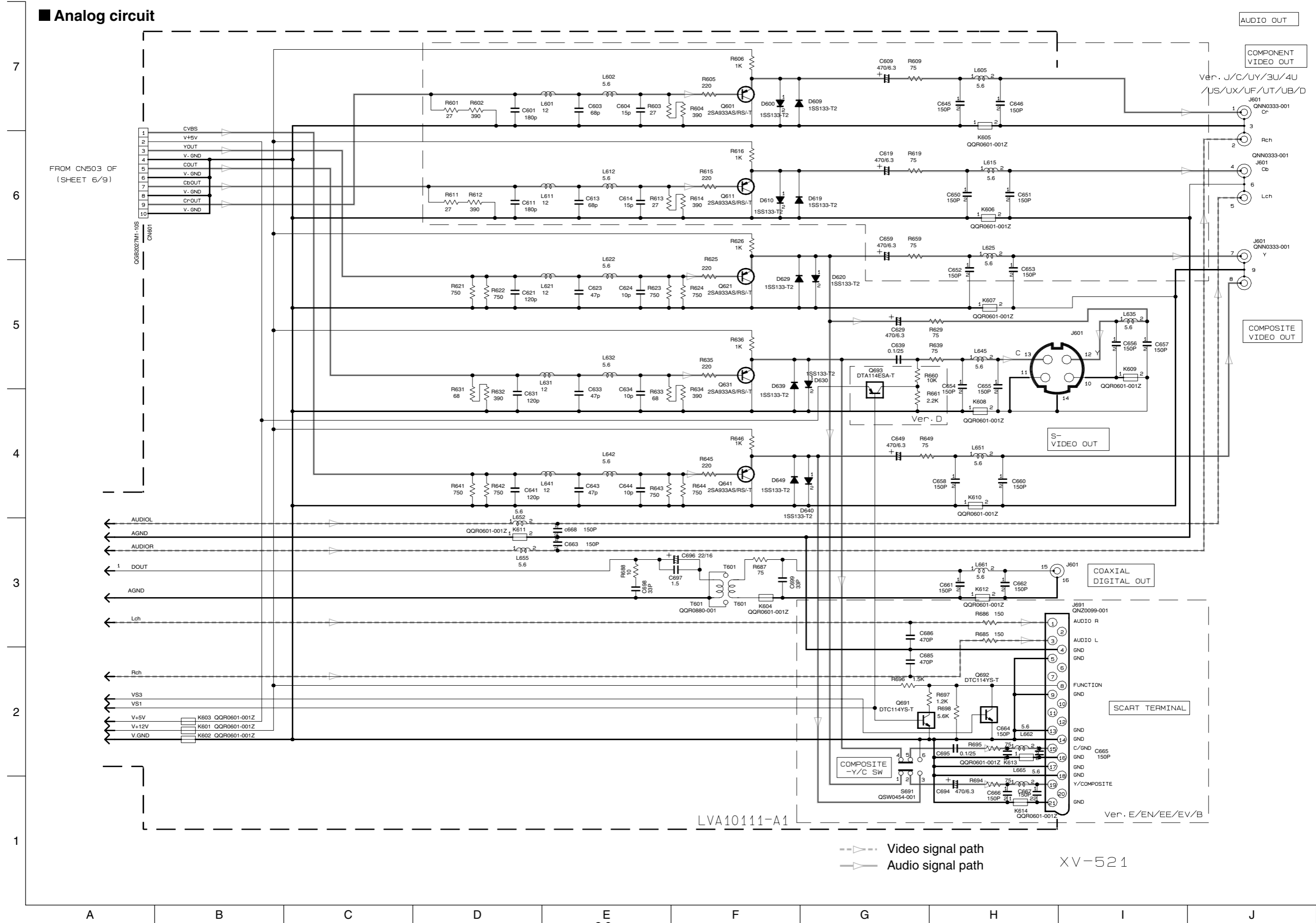


REF. NO.	VAL.	W/C/Ω	ES/EN/EE/EB/B	A/2U/3U/4U/5U/6U/7U/8	D
R115	10K		NONE	NONE	10K
R795	NONE	4.7K		NONE	NONE
R1757	NONE	1K		NONE	1K
R1758	NONE	1K		NONE	NONE

NOTES:
 1-VOLTAGES ARE DC-MEASURED WITH A DIGITAL VOLT METER WITHOUT INPUT SIGNAL.
 CONDITION --- POWER ON DVD STOP
 2-VOLTAGE OTHERWISE SPECIFIED
 ALL RESISTORS ARE 1/8W 5% CARBON RESISTOR
 ALL CAPACITORS ARE 50V CERAMIC CAPACITOR
 ALL RESISTANCE VALUES ARE IN OHMS (Ω)
 ALL CAPACITANCE VALUES ARE IN PICO-FARADS (pF)
 ALL E-CAPACITORS ARE SHOWN IN THE FORM OF CAPACITANCE (μF)/RATED VOLTAGE (V).
 ALL DIODES ARE 1SS133-T2

MODEL XV-421BK/521BK /522SL/523GD/525BK
 Digital audio signal path
 Audio signal path

■ Analog circuit



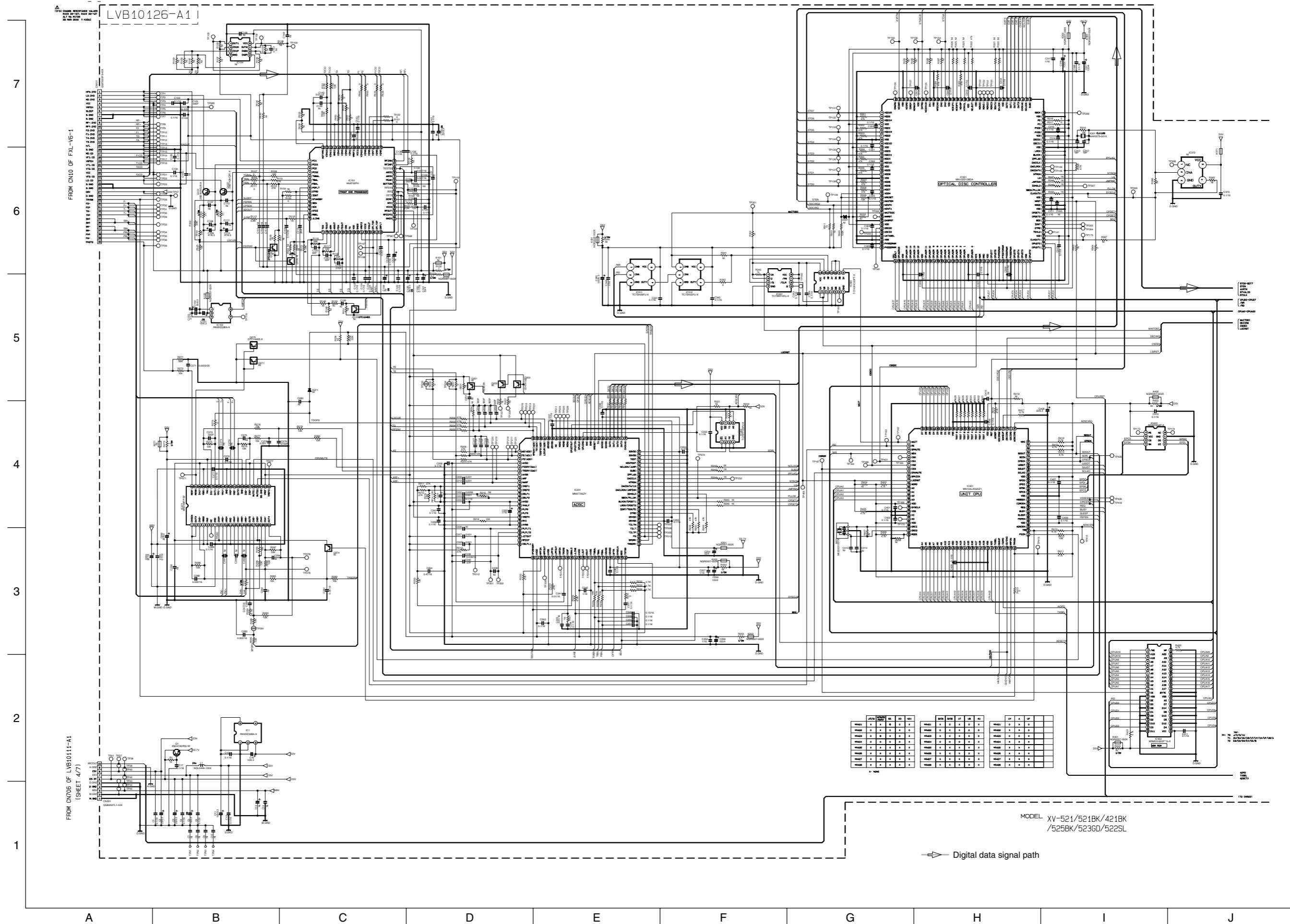
7
6
5
4
3
2
1

A B C D E F G H I J

---> Video signal path
 -> Audio signal path

XV-521

DVD servo circuit



FROM CN10 OF FXL-V5-1

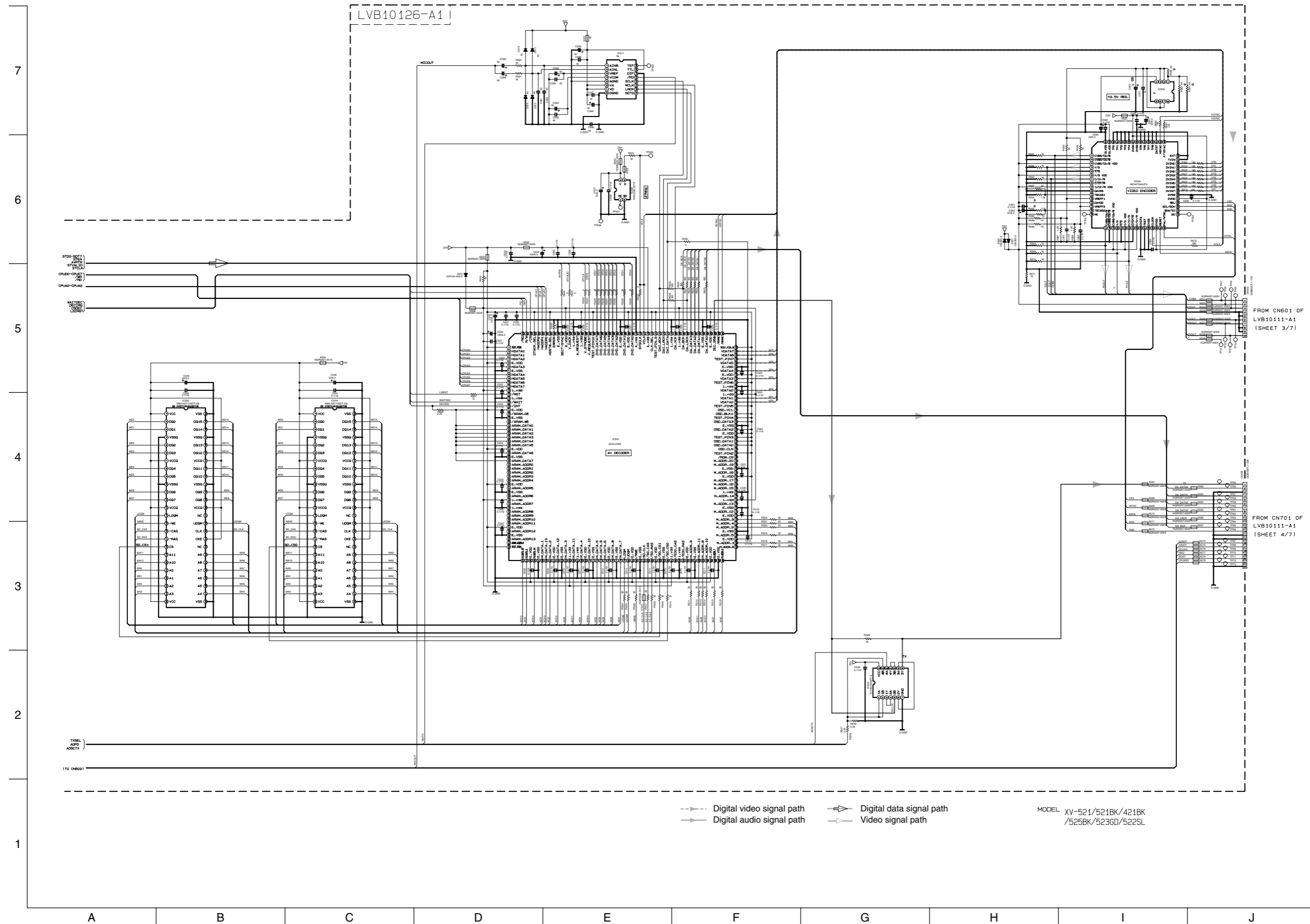
FROM CN706 OF LVB10111-A1 (SHEET 4/7)

LVB10126-A1

MODEL XV-521/521BK/421BK /525BK/523GD/522SL

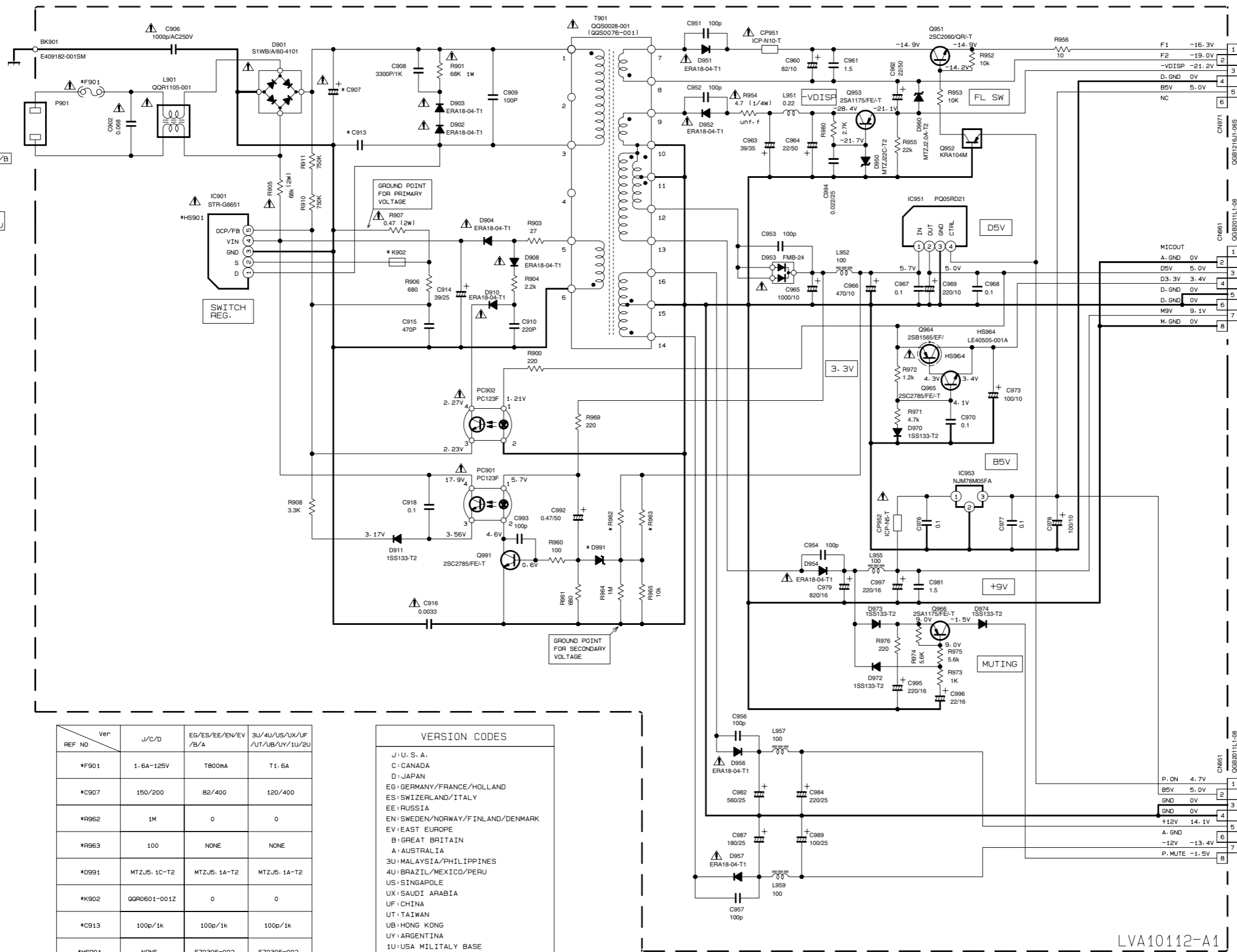
▶ Digital data signal path

■ DSP circuit



Power supply circuit

- Ver. J/C
120V 60Hz
- Ver. D
100V 50/60Hz
- Ver. EG/ES/EE/EN/EV/B
230V 50Hz
- Ver. A
240V 50Hz
- Ver. 3U/4U/US/UX/UF
/UT/UB/UY/1U/2U
110-240V 50/60Hz



TO CNB32 OF
LVA10112-A2
(SHEET 1/7)

TO CN704 OF
LVA10111-A1
(SHEET 4/7)

TO CN705 OF
LVA10111-A1
(SHEET 4/7)

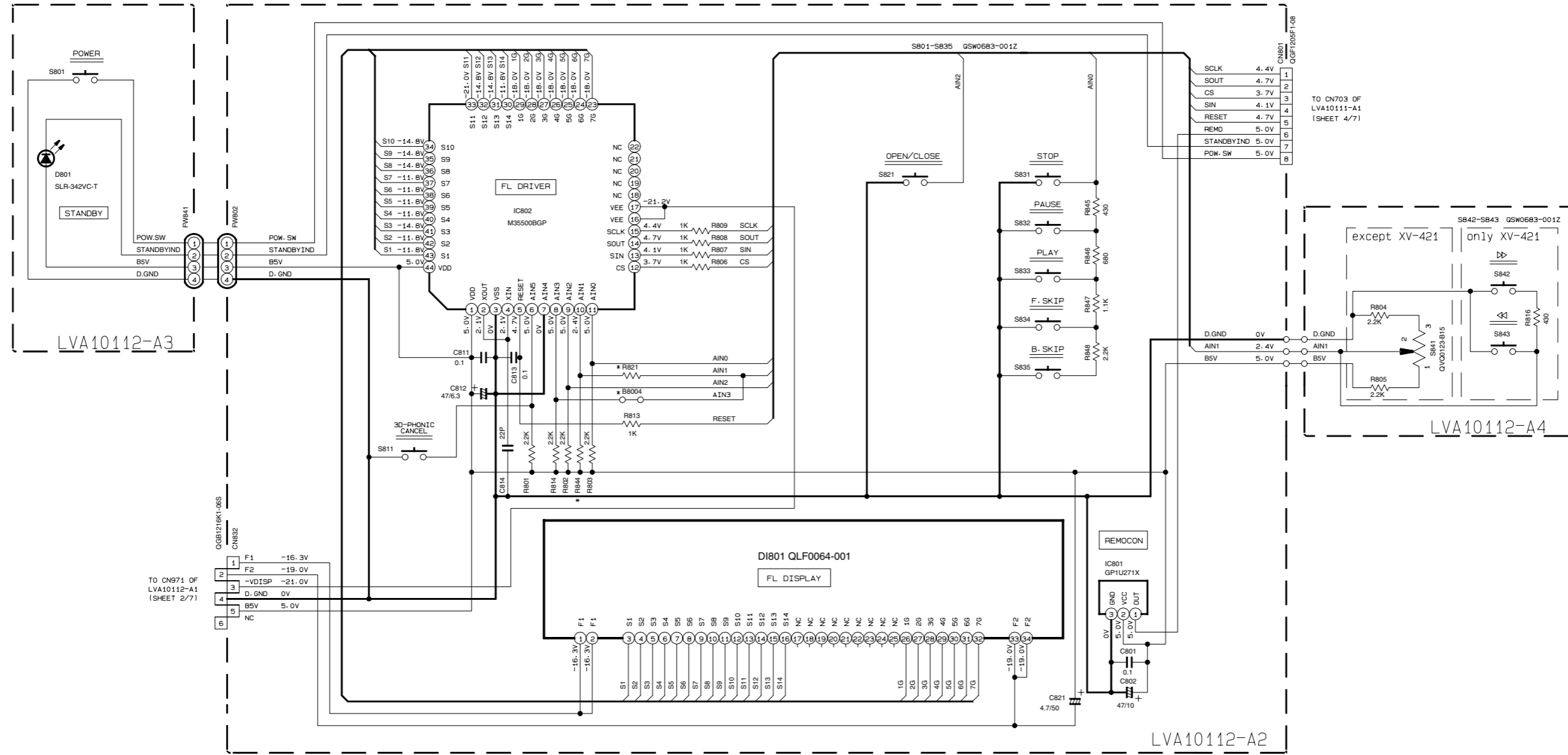
Ver	J/C/D	EG/ES/EE/EN/EV /B/A	3U/4U/US/UX/UF /UT/UB/UY/1U/2U
*F901	1.6A-125V	T800mA	T1.6A
*C907	150/200	82/400	120/400
*R962	1M	0	0
*R963	100	NONE	NONE
*D991	MTZJ5. 1C-T2	MTZJ5. 1A-T2	MTZJ5. 1A-T2
*K902	GGR0601-001Z	0	0
*C913	100p/1k	100p/1k	100p/1k
*HS901	NONE	E70306-002	E70306-002

VERSION CODES	
J	: U. S. A.
C	: CANADA
D	: JAPAN
EG	: GERMANY/FRANCE/HOLLAND
ES	: SWITZERLAND/ITALY
EE	: RUSSIA
EN	: SWEDEN/NORWAY/FINLAND/DENMARK
EV	: EAST EUROPE
B	: GREAT BRITAIN
A	: AUSTRALIA
3U	: MALAYSIA/PHILIPPINES
4U	: BRAZIL/MEXICO/PERU
US	: SINGAPOLE
UX	: SAUDI ARABIA
UF	: CHINA
UT	: TAIWAN
UB	: HONG KONG
UY	: ARGENTINA
1U	: USA MILITARY BASE
2U	: TURKEY/EGYPT/SOUTHAFRICA

LVA10112-A1

MODEL
XV-521/521BK/421BK
/525BK/523GD/522SL

Display circuit



TO CN971 OF LVA10112-A1 (SHEET 2/7)

TO CN703 OF LVA10111-A1 (SHEET 4/7)

REF NO	MODEL	XV-421	except XV-421
*BB004	QVY150-050Y	NONE	
*RB21	NONE	1k	
*RB44	2.2k	NONE	

- NOTES
- VOLTAGES ARE DC-MEASURED WITH A DIGITAL VOLT METER WITHOUT INPUT SIGNAL. CONDITION --- POWER ON NO DISC
 - UNLESS OTHERWISE SPECIFIED.
 - ALL RESISTORS ARE 1/6W ±5% CARBON RESISTOR.
 - ALL CAPACITORS ARE 50V CERAMIC CAPACITOR.
 - ALL RESISTANCE VALUES ARE IN OHM(Ω).
 - ALL CAPACITANCE VALUES ARE IN μF(P=pF).
 - ALL E. CAPACITORS ARE SHOWN IN THE FORM OF CAPACITANCE(μF)/RATED VOLTAGE (V).

XV-521/521BK/421BK
/525BK/523GD/522SL

■ Voltage value section

7
6
5
4
3
2
1

IC101 table with columns NO, DC(V), NO, DC(V) and rows 1 to 50.

IC102 table with columns NO, DC(V) and rows 1 to 5.

IC201 table with columns NO, DC(V), NO, DC(V) and rows 1 to 50.

IC202 table with columns NO, DC(V) and rows 1 to 8.

IC271 table with columns NO, DC(V) and rows 1 to 24.

IC301 table with columns NO, DC(V), NO, DC(V), NO, DC(V) and rows 1 to 50.

IC311 table with columns NO, DC(V) and rows 1 to 5.

IC372 table with columns NO, DC(V) and rows 1 to 4.

IC401 table with columns NO, DC(V), NO, DC(V) and rows 1 to 50.

IC402 table with columns NO, DC(V) and rows 1 to 10.

IC403 table with columns NO, DC(V) and rows 1 to 8.

IC312 table with columns NO, DC(V) and rows 1 to 5.

IC321 table with columns NO, DC(V) and rows 1 to 8.

IC322 table with columns NO, DC(V) and rows 1 to 14.

IC501 table with columns NO, DC(V), NO, DC(V), NO, DC(V), NO, DC(V) and rows 1 to 104.

IC502 table with columns NO, DC(V) and rows 1 to 4.

IC504 table with columns NO, DC(V) and rows 1 to 5.

IC505 table with columns NO, DC(V) and rows 1 to 5.

IC503 table with columns NO, DC(V) and rows 1 to 14.

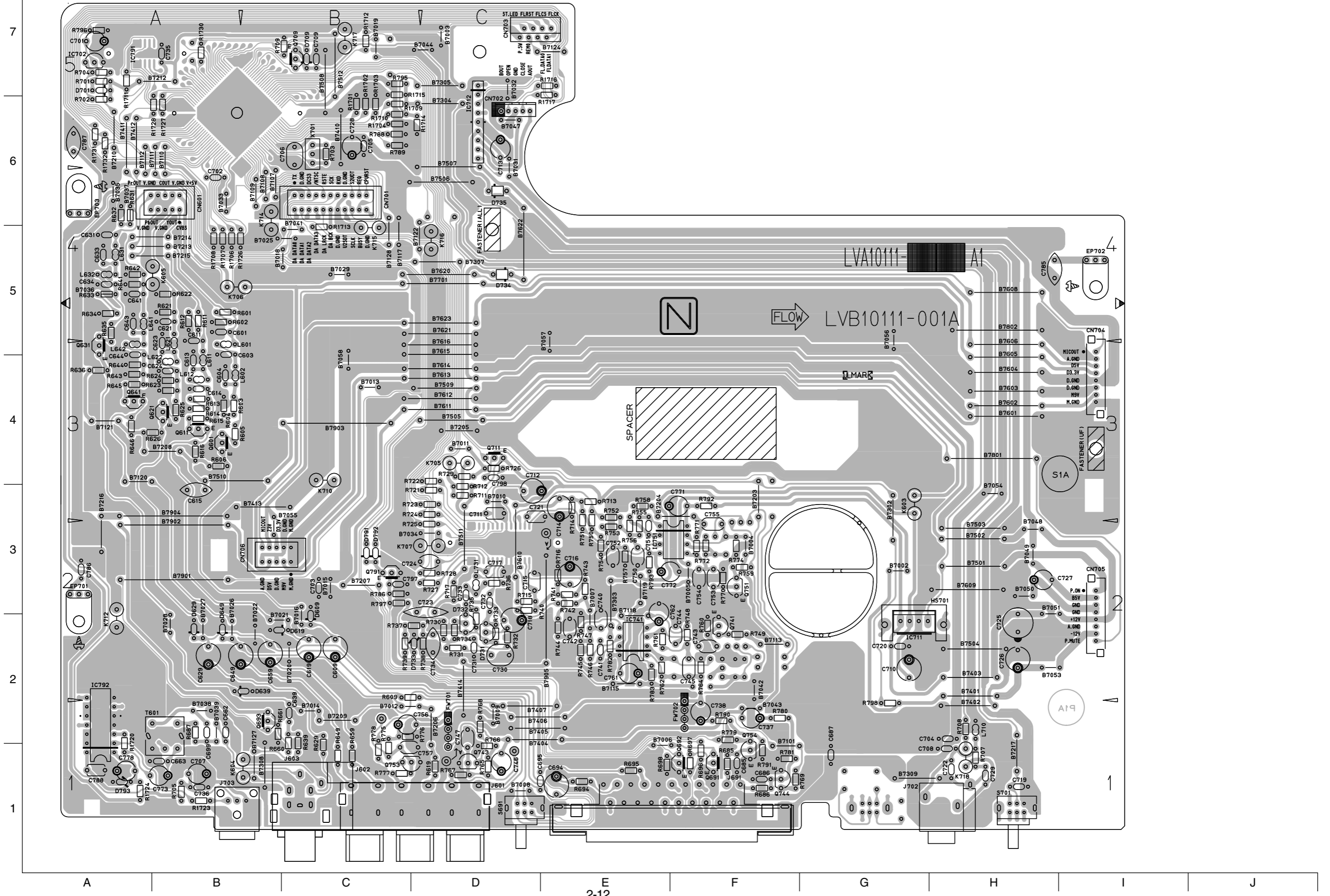
IC554 table with columns NO, DC(V), NO, DC(V), NO, DC(V) and rows 1 to 50.

MODEL XV-521/521BK/421BK /525BK/523GD/522SL

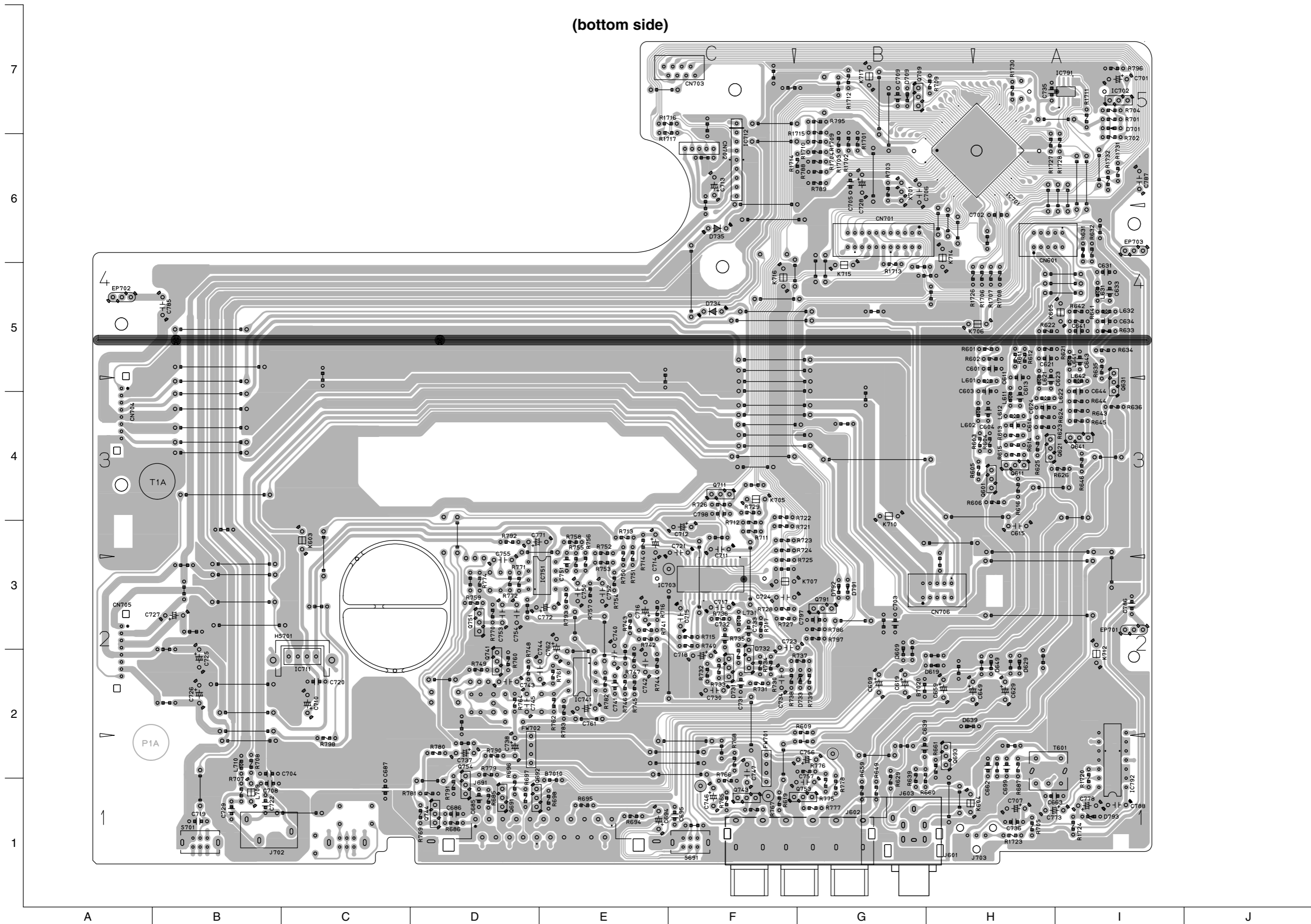
Printed circuit boards

■ MAIN board

(surface side)



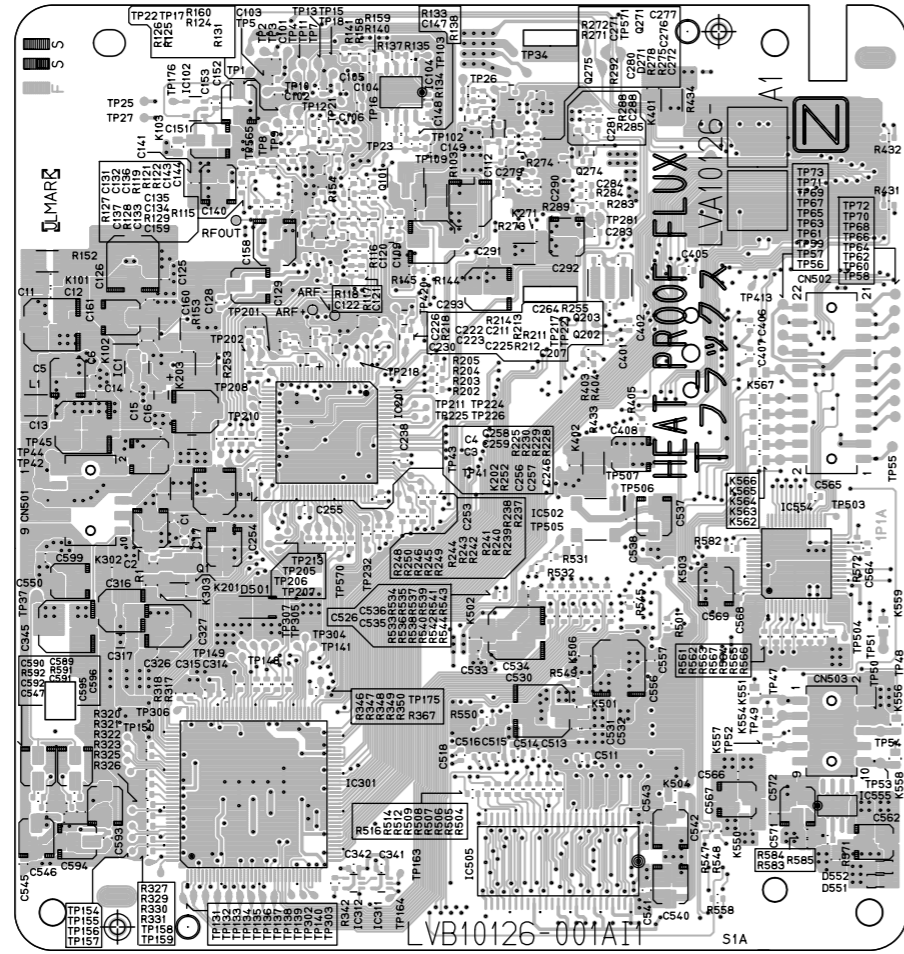
(bottom side)



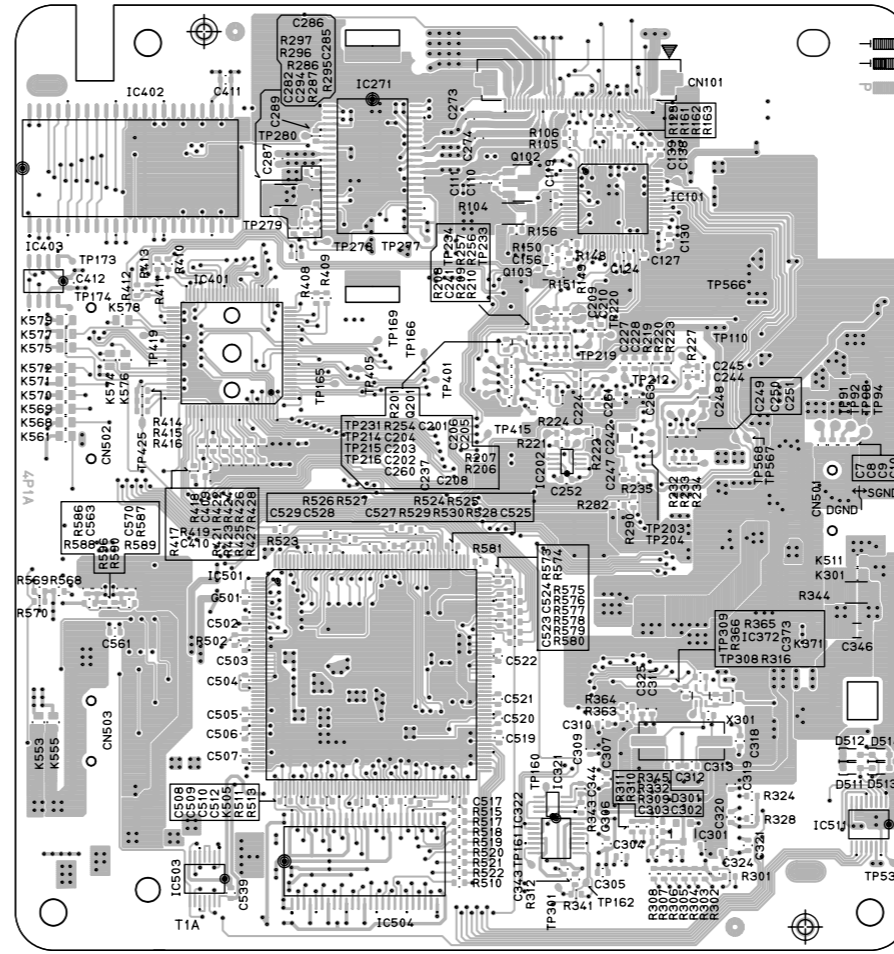
■ DVD Servo

7
6
5
4
3
2
1

(surface side)



(bottom side)



A B C D E F G H I J